

Step 3 Use the following table to calculate the number of widths of fabric required

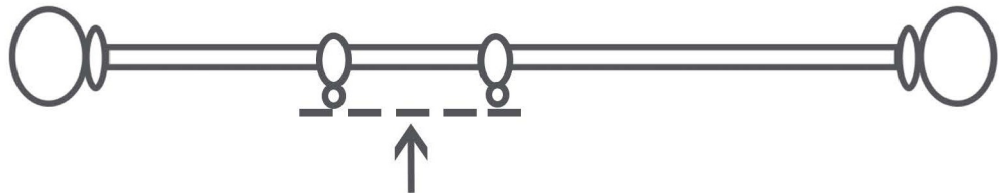
Heading	1 width	1.5 widths	2 widths	2.5 widths	3 widths
Pencil	<140cm	141-200cm	201-280cm	281-340cm	341-400cm
Double Pinch Pleat	<140cm	141-200cm	201-280cm	281-340cm	341-400cm
Triple Pinch Pleat	<122cm	123cm-183cm	184-244cm	245-305cm	306-366cm
Eyelet	<140cm	141-200cm	201-280cm	281-340cm	341-400cm
Wave	<122cm	123-183cm	184-244cm	245-305cm	306-366cm

Step 4 Measure the curtain drop to your preferred length (this may be the sill or floor)

Tracks - measure from the top of the track



Curtain Pole - measure from the underside of the pole ring

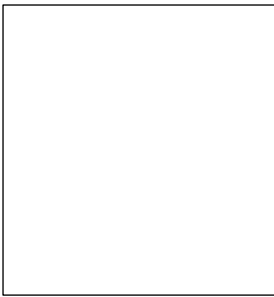


Eyelets - measure from the top of the pole



Step 5 Choose your lining (see separate page)

- Unlined
- Standard or FR Standard (Ivory)
- Blackout (Cream and White) or FR Blackout (Cream)
- Deluxe (Almond, Ivory and White)
- Thermal (Ivory)
- Interlining



Pencil Pleat



This is a heading that uses 7.5cm (3 inch) tape with 3 different hook positions to suit all types of poles and tracks.

Curtains are supplied ungathered so that you can gather them to the required width. To create an even pleat please ensure the draw cords are pulled equally. They do not come with hooks.

We also offer a 15cm (6inch) tape with 6 hook positions, particularly good for those with longer curtains making the header proportionate to the drop.



Please refer to the measuring guide to calculate the number of widths required.

Pinch Pleat



Pinch pleats are made as 5 or 6 inch triple or double pleats, they are more gathered than other curtain headings and have a sewn in pleat. There are usually 5 standard triple pinch pleats per width of fabric.

Each curtain width is fitted with 5 strong plastic, adjustable height hooks and will arrive pleated to the correct size to fit your track/pole. Average finished width per curtain when pleated is 60cm.

It is important to include all overlaps and returns in your measurements.

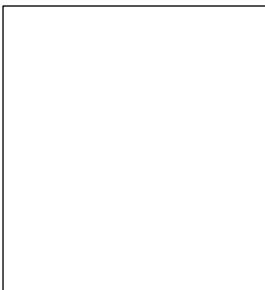
Triple pinch pleats are made to approx 2.5 fullness and double pinch pleats are made to approximately double fullness.

We add a spring back of 5cm and an overlap of 5cm per curtains.

Fabric covered buttons are available as a surcharge.

Tip

We recommend the use of a pole not a track to ensure pleats hang correctly. Please refer to the measuring guide to calculate the number of widths needed.



Eyelet



Eyelets allow for a more contemporary look for a curtain pole as they fold into large even pleats. Eyelets are available in 40mm and 50mm (Silver Milk only available in 40mm).

There are normally 8 eyelets per width and we recommend you order double fullness for a gathered look when the curtains are closed (please refer to measuring guide). 40mm eyelets are suitable for poles up to 30mm and 50mm eyelets are suitable for poles up to 35mm.

When measuring, please note 40mm of fabric will be added above the eyelet, so please measure them from the top of the pole.

Eyelet colours available



Chrome



Satin Silver



Silver Milk
(40mm only)



Brass

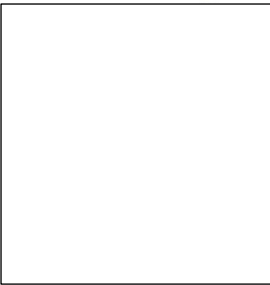


Antique Brass



Gunmetal

Samples are available upon request



Wave



This modern heading uses a specifically designed heading tape and wave glider cord to create a continuous wave effect. It is similar to an eyelet but hangs neatly below the track.

Please Note
Wave curtains require 4.5cm clearance front and back.

They are made to approx 2.2 fullness and supplied unhooked.

Wave curtains are only suitable for certain fabrics, (if unsure please contact us) as they lend themselves to a more lightweight fabric. If the fabric folds into a soft wave pattern easily then this is an indication of its suitability. Heavy fabrics and embroideries are generally not suitable.

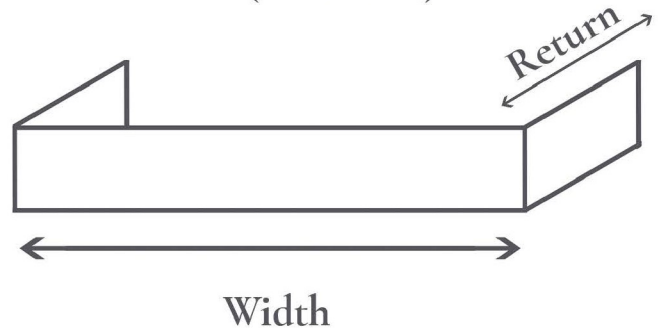


Valances

These are often used as a decoration for the top of your curtain to conceal a track.

All valances are available as pencil pleat with 7.5cm header tape or 5 inch pinch pleat.

Please measure the depth of the returns and the width across (see below).



Straight Pencil Pleat



Straight Double Pinch Pleat



Straight Triple Pinch Pleat



Shaped Pencil Pleat



Shaped Double Pinch Pleat



Shaped Triple Pinch Pleat

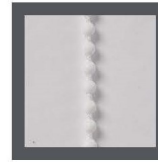
We offer a straight and shaped valance. We recommend all valances are lined.

Roman Blinds

prestigious textiles®



Chain Colours:



White



Chrome



Brass

Roman blinds are available in any suitable fabric from our collection. They can be used as a window covering on its own or as a coordinate with a pair of curtains.

Please provide **actual** sizes, width and drop in centimetres. All blinds are supplied with a track and fixing brackets ready to hang.

All blinds are lined. Please note blinds made with a blackout lining will not be a totally blackout blind as stitch holes will allow a small amount of light through.

Any blind with a width above 127cm will require 2 widths of fabric. The blind will be made with a central panel and smaller pattern matched panels at each side. Maximum width of a Roman blind is 250cm due to weight of fabric and safety break system.

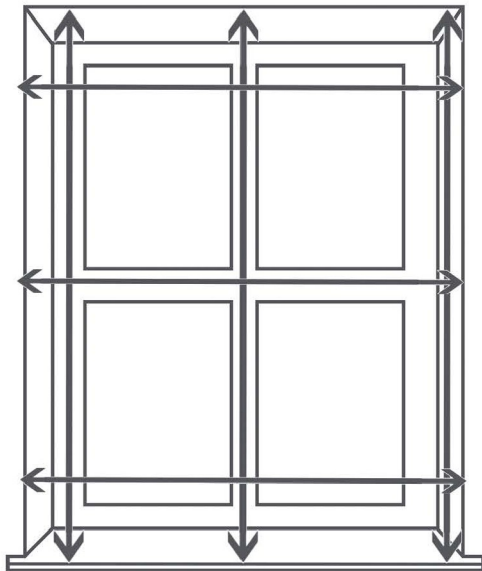
All Roman blinds are supplied with a chrome chain as standard. Stab stitch Roman blinds are available at a 20% surcharge.

Measuring for Roman Blinds

prestigious textiles®

Blinds may be fitted inside or outside the window. Please measure the width and the drop of the blind to give the **actual** finished size of the blind. Please only provide us with the finished blind size required.

How to Measure:

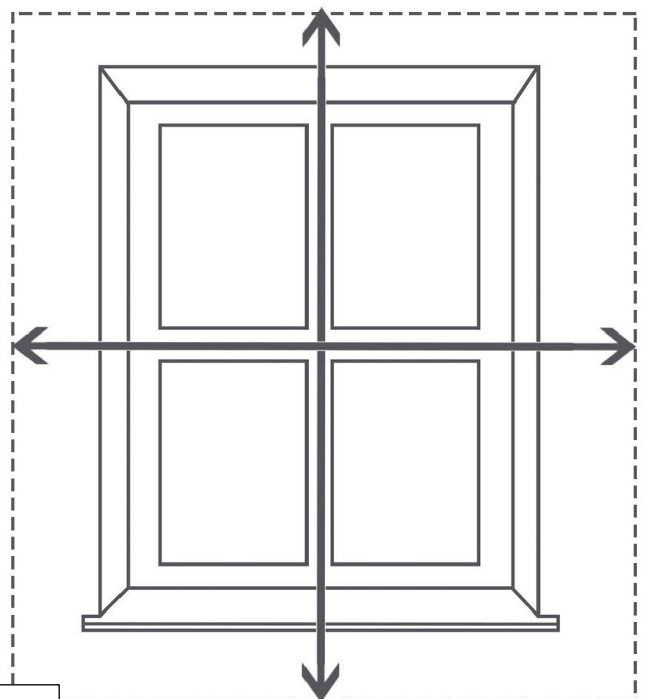


Inside the window

Take a measurement from the top, middle and bottom and use the smallest measurement.

Outside the window

Take a measurement from the top, middle and bottom and use the smallest measurement.



Child Safety

All our Roman Blind systems house an internal breakaway mechanism to comply with Child Safety Standard BSEN1320.

Please note that chains and cords that operate blinds can be a hazard to small children. Please be mindful when placing cots, beds or furniture near a window featuring a blind.

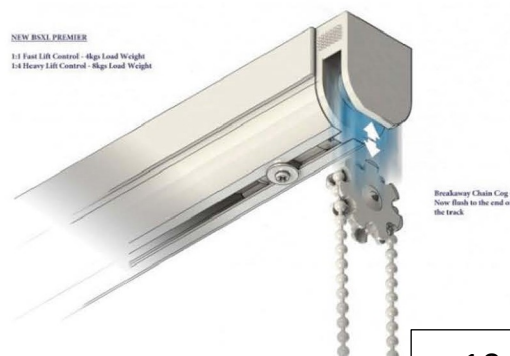
When installed, the lower part of the chain must be at least 60cm from the floor.

We use the following Blind System:

BSXL Roman Blind System: 1:4 Ratio

The BSXL has been intelligently engineered to be 'safe by design' – promoting Child Safety whilst ensuring maximum performance, durability and ultimately, guarantee to leave your clients with a visually stunning window dressing. These versatile blinds can be used as standalone or to compliment curtains.

- 1.2 Gauge Aluminium
- Under the correct operating conditions these blinds have a 10 year warranty
- Child Safe
- Standard 1:4 ratio Control Unit with internal breakaway device
- The chain breaks at 6kgs
- Chrome and Brass metal chains available
- Easylock cord rolls - patented click and lock cord drums with 3m of cord
- Counterweight bars and fibreglass rods
- Rear cord safety devices



10 WARRANTY
year



Linings Available

Lining Type

Standard - Ivory

Blackout - Cream and White

Deluxe - Almond

Thermal - Pearl (Curtains Only)

Interlining

Bonded Standard - Ivory (Blinds Only)

Bonded Blackout - Cream (Blinds Only)

Samples available on request.

FR linings are available in standard and blackout. Please note you will need to FR treat your fabric for curtain use to be fully FR compliant or alternatively use one of our inherently FR fabrics.

Please phone 01274 688448 to order.